

Buddy Rhodes Concrete Products

FIBERGLASS MOLDS

Sinks PAGE TWO

Manufacturer's Suggested Retail Prices

Small Oval Bath Sink Mold:	<i>14" Diameter</i>	\$320
Oval Bath Sink Mold:	<i>17" Diameter</i>	320
Trapezoid Bath Sink Mold:	<i>17" Length</i>	\$320
Trough Bath Sink Mold:	<i>40" Length</i>	\$450
Small Rectangle Kitchen Sink Mold:	<i>20-3/4" Length</i>	\$320
Medium Rectangle Kitchen Sink Mold:	<i>24" Length</i>	\$320
Large Rectangle Kitchen Sink Mold:	<i>30" Length</i>	\$450

Furniture PAGE THREE AND PAGE FIVE

Designer Drum Table Mold:	<i>36" Diameter</i>	\$1450
Designer Cone Table Mold:	<i>30" Diameter</i>	\$1120
Designer Cone Table Mold:	<i>36" Diameter</i>	\$1450
Designer Bistro Table Mold:	<i>32" Diameter</i>	\$1120
Designer Drum Stool Mold:	<i>18" Diameter</i>	\$750
Designer Flat Top Stool Mold:	<i>15" Diameter</i>	\$500
The Sausalito Lounge Chair Mold:	<i>9'11" Long, 29" Wide</i>	\$2,100

Planter Molds PAGE FOUR

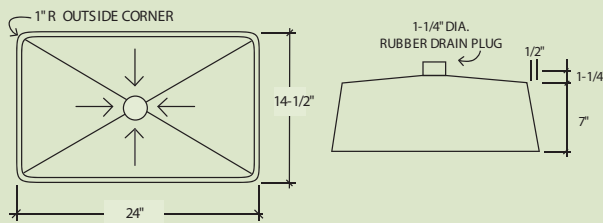
Large Planter Mold:	<i>48" Diameter</i>	\$1150
Medium Planter Mold:	<i>31" Diameter</i>	\$950
Small Planter Mold:	<i>20" Diameter</i>	\$950
Tub Mold:	<i>48" Diameter</i>	\$1450

Buddy Rhodes Concrete Products

SINK MOLDS

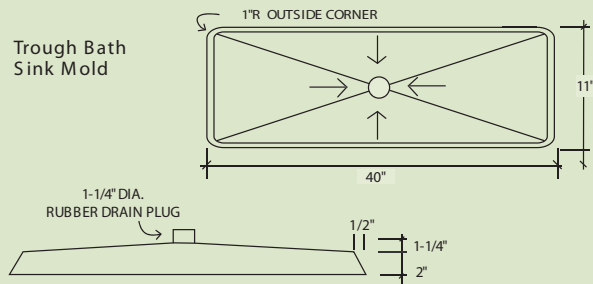
BUDDY RHODES SINK MOLDS allow the creation of concrete sinks integrated into the counter top. Simply place the sink mold in the countertop form and form the counter around it.

Medium Rectangle Kitchen Sink Mold

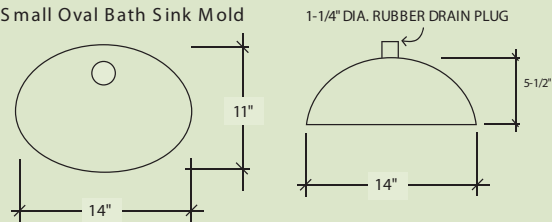


Made from sturdy fiberglass with a smooth finish, sink molds may be used hundreds of times on countertop projects.

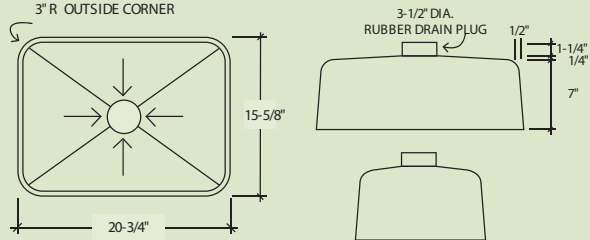
Trough Bath Sink Mold



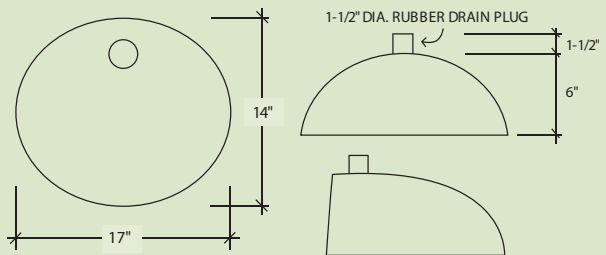
Small Oval Bath Sink Mold



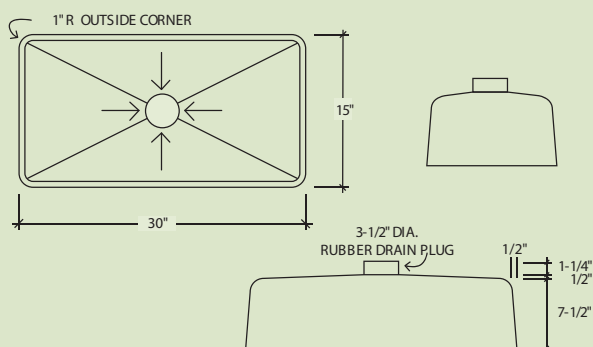
Small Rectangle Kitchen Sink Mold



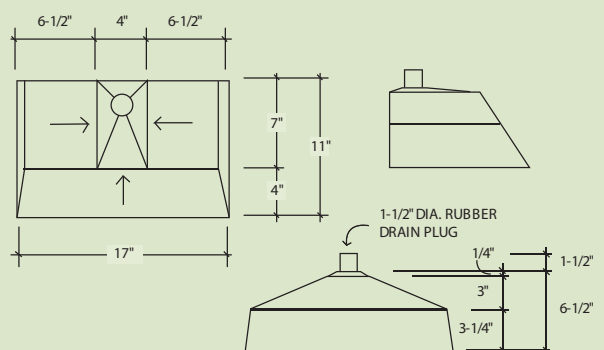
Oval Bath Sink Mold



Large Rectangle Kitchen Sink Mold



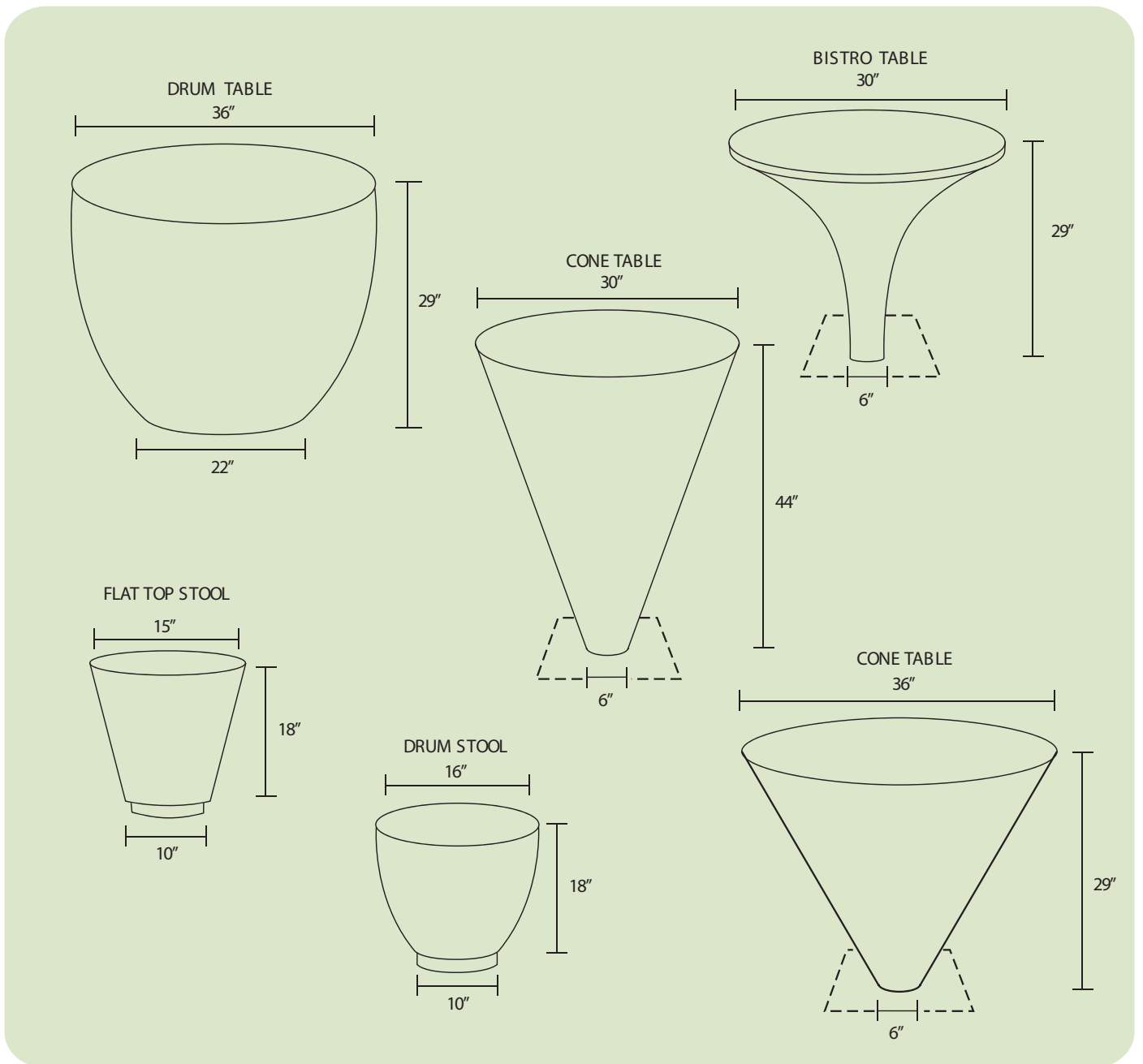
Trapezoid Sink Mold



Buddy Rhodes Concrete Products

FURNITURE MOLDS

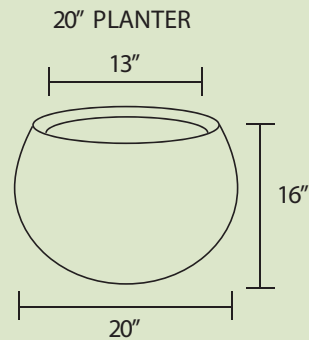
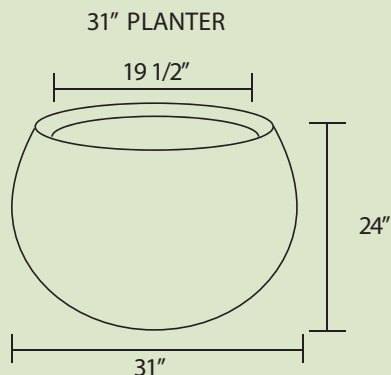
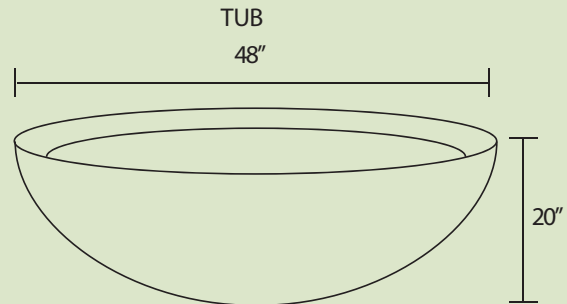
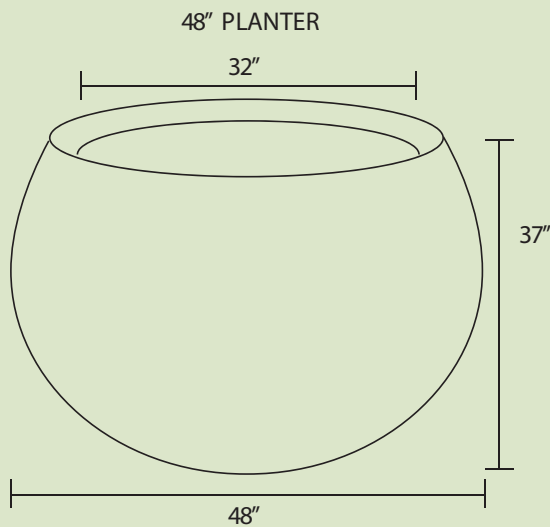
Buddy Rhodes Furniture Molds take advantage of the special qualities of our premier concrete countertop mix. These reusable fiberglass molds bring Buddy's unique designs to the the concrete and masonry contractor, turning every contractor into an artisan. Concrete furniture is durable and timeless, yet modern.



Buddy Rhodes Concrete Products

PLANTER MOLDS

These monumental planters provide a powerful yet elegant accent in settings as diverse as building lobbies, backyard patios, parking lots or streetscapes. Designed for casting on site or in the shop, a Buddy Rhodes planter provides the architect, designer or contractor a unique option to differentiate his offering from the competition.



Buddy Rhodes Concrete Products

THE SAUSALITO LOUNGE CHAIR DESIGNED BY: NICK RELAMPAGOS

This graceful, elegant lounge chair was design and fabricated by one of Buddy Rhodes' talented artisans: Nick Relampagos. The design uses Buddy Rhodes materials and GFRC methods. The chair features a built in heating element. Perfect slope and curves makes this lounge surprisingly comfortable and an art object..

